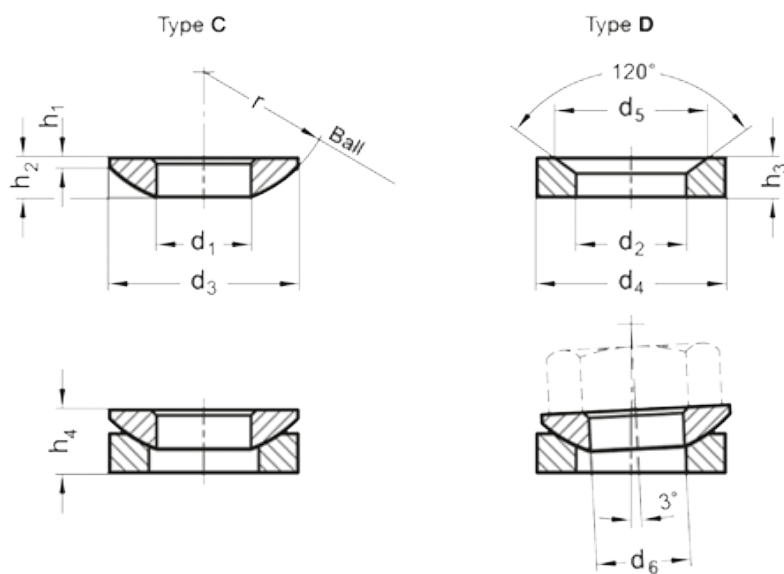


Article number: 208050061

Description: E+G Sphericalwasher male DIN 6319-8,4-C-NI
Stainless Steel 1.4305

Measures



$d_1 = 8.4$

$d_3 = 17$

$d_6 = M8$

$H_1 = 0.6$

$H_2 = 3.2$

$H_4 = 5.6$

$r = 12$